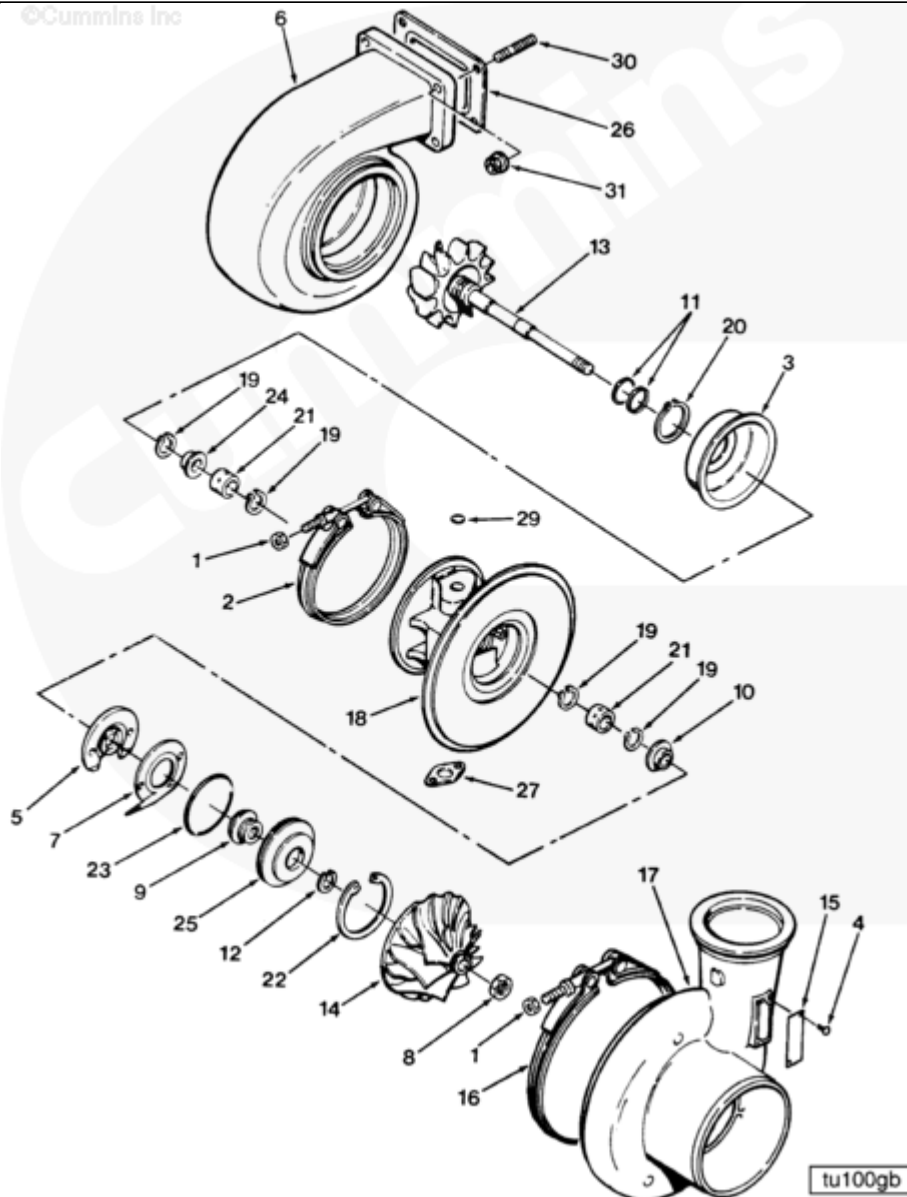




## Parts Catalog - Option Detail

Electronic Parts Catalog - Option Detail				
Option	Group	Graphic	Film Card	Date
PP10139-02	10.06	tu100gb	FF	12-AUG-00
<b>Engines</b>	G855, G855 CM558, GTA855 CM558 (CM2358) G101, N14 CELECT, N14 CELECT PLUS, N14 MECHANICAL, NH/NT 855, QSM11 CM876 M101, QSM11 CM876 M102M, QSN14 CM876 N103, QSN14 CM876 N105, QSNT14 CM876 N102			



[SMALL](#) | [MEDIUM](#) | [LARGE](#)

Cart	Ref No	Part Number	Part Description	Required	Remarks
<a href="#">View My Cart</a>					

		<a href="#">PP10139-02</a>	Turbocharger		<a href="#">HT60-N0881A/x36K1 Turbo for...(More)</a>
					use on Marine N14 engines
					between 360BHP and 525BHP.
					Non-watercooled turbo bearing
					housing. CPL: 2453, 2529
<input type="checkbox"/>		<a href="#">3800607</a>	Turbocharger Kit		
		<a href="#">3591133</a>	Turbocharger		
<input type="checkbox"/>	1	<a href="#">3529372</a>	Regular Hexagon Nut	2	1/4 - 28 UNF
<input type="checkbox"/>	2	<a href="#">3804924</a>	Kit , V-Band Clamp		For All HT60 Turbochargers
<input type="checkbox"/>	3	<a href="#">3519155</a>	Turbocharger Heat Shield	1	
<input type="checkbox"/>	4	<a href="#">3519163</a>	Drive Screw	4	
<input type="checkbox"/>	5	<a href="#">3536075</a>	Turbocharger Thrust Bearing	1	
<input type="checkbox"/>	6	<a href="#">3591132</a>	Turbine Housing	1	
<input type="checkbox"/>	7	<a href="#">3529658</a>	Oil Baffle	1	
<input type="checkbox"/>	8	<a href="#">3519471</a>	Lock Nut	1	7/16 - 20 UNF
<input type="checkbox"/>	9	<a href="#">3521439</a>	Oil Slinger	1	
<input type="checkbox"/>	10	<a href="#">3521440</a>	Thrust Collar	1	
<input type="checkbox"/>	11	<a href="#">3521441</a>	Split Ring Seal	2	
<input type="checkbox"/>	12	<a href="#">3521442</a>	Split Ring Seal	1	
<input type="checkbox"/>	13	<a href="#">3594952</a>	Shaft Wheel Rotor	1	
<input type="checkbox"/>	14	<a href="#">3527047</a>	Turbocharger Compressor Impeller	1	
	15	<a href="#">3527907</a>	Dataplate	1	
<input type="checkbox"/>	16	<a href="#">3532045</a>	V Band Clamp	1	
<input type="checkbox"/>	17	<a href="#">3536424</a>	Compressor Housing	1	
<input type="checkbox"/>	18	<a href="#">3536096</a>	Turbocharger Bearing Housing	1	
<input type="checkbox"/>	19	<a href="#">3709510</a>	Retaining Ring	4	
<input type="checkbox"/>	20	<a href="#">3718373</a>	Retaining Ring	1	
<input type="checkbox"/>	21	<a href="#">3722366</a>	Turbocharger Bearing	2	
<input type="checkbox"/>	22	<a href="#">3723863</a>	Retaining Ring	1	
<input type="checkbox"/>	23	<a href="#">3751948</a>	O-Ring Seal	1	

<input type="checkbox"/>	24	<a href="#">3757753</a>	Oil Control Sleeve	1	
<input type="checkbox"/>	25	<a href="#">3759618</a>	Oil Seal Plate	1	
<input type="checkbox"/>	26	<a href="#">4019621</a>	Turbocharger Gasket	1	
<input type="checkbox"/>	27	<a href="#">3202117</a>	Connection Gasket	1	
<input type="checkbox"/>	29	<a href="#">3037537</a>	O-Ring Seal	1	
<input type="checkbox"/>	30	<a href="#">3056155</a>	Double End Plain Stud	4	
<input type="checkbox"/>	31	<a href="#">3056158</a>	Hexagon Flange Nut	4	Reference TSB100603.

© 2019 Cummins Inc., Box 3005, Columbus, IN 47202-3005 U.S.A.  
Terms of Use and Disclaimers | Recommended System Requirements  
Need Assistance? Please click on the Contact Us button in the top right corner of any page.